



# TOWN OF DISCOVERY BAY

A COMMUNITY SERVICES DISTRICT

SDLF Platinum-Level of Governance



PLATINUM LEVEL

President – Bryon Gutow • Director – Kevin Graves • Director – Ashley Porter • Director – Michael Callahan • Director – Carolyn Graham

**NOTICE OF THE REGULAR MEETING  
OF THE WATER AND WASTEWATER COMMITTEE  
OF THE TOWN OF DISCOVERY BAY  
Wednesday, March 3, 2021  
STANDING WATER AND WASTEWATER COMMITTEE REGULAR MEETING  
5:30 P.M. – 6:30 P.M.**

**NOTICE  
Coronavirus COVID-19**

In accordance with the Governor's Executive Order N-33-20, and for the period in which the Order remains in effect, the Town of Discovery Bay Community Services District Committee Chambers will be closed to the public.

To accommodate the public during this period of time that the Committee's Chambers are closed to the public, the Town of Discovery Bay Community Services District Committee Members have arranged for members of the public to observe and address the meeting telephonically.

**TO ATTEND BY TELECONFERENCE:**  
Toll-Free Dial-In Number: (866) 848-2216  
CONFERENCE ID **5193676302#**

Download Agenda Packet and Materials at [www.todb.ca.gov/](http://www.todb.ca.gov/)

**Water and Wastewater Committee Board Members**

*Chair Kevin Graves  
Vice-Chair Ashley Porter*

- A. ROLL CALL**
1. Call business meeting to order 5:30 p.m.
  2. Roll Call.
- B. PUBLIC COMMENTS (Individual Public Comments will be limited to a 3-minute time limit)**
- During Public Comments, the public may address the Committee on any issue within the District's jurisdiction which is not on the Agenda. The public may comment on any item on the Agenda at the time the item is before the Committee for consideration. Any person wishing to speak will have 3 minutes to make their comment. There will be no dialog between the Committee and the commenter as the law strictly limits the ability of Committee members to discuss matters not on the agenda. We ask that you refrain from personal attacks during comment, and that you address all comments to the Committee only. Any clarifying questions from the Committee must go through the Chair. Comments from the public do not necessarily reflect the viewpoint of the Committee members.
- C. DRAFT MINUTES TO BE APPROVED**
1. Approve February 3, 2021 Regular Water and Wastewater Committee DRAFT meeting minutes.
- D. PRESENTATIONS**
1. Water and Wastewater Update.
- E. DISCUSSION ITEMS**
1. Discussion Regarding Water Demand per Well.
  2. Discussion Regarding the Cecchini Ranch Development.
  3. Discussion Regarding Updating the District's Capacity and Connection Fee Study.
  4. Discussion Regarding ORION Readers.

**F. FUTURE DISCUSSION/AGENDA ITEMS**

**G. ADJOURNMENT**

1. Adjourn to the next Standing Water and Wastewater Committee meeting at the Community Center located at 1601 Discovery Bay Boulevard.

"This agenda shall be made available upon request in alternative formats to persons with a disability, as required by the American with Disabilities Act of 1990 (42 U.S.C. § 12132) and the Ralph M. Brown Act (California Government Code § 54954.2). Persons requesting a disability related modification or accommodation in order to participate in the meeting should contact the Town of Discovery Bay, at (925) 634-1131, during regular business hours, at least forty-eight hours prior to the time of the meeting."

"Materials related to an item on the Agenda submitted to the Town of Discovery Bay after distribution of the agenda packet are available for public inspection in the District Office located at 1800 Willow Lake Road during normal business hours."



# TOWN OF DISCOVERY BAY

A COMMUNITY SERVICES DISTRICT

SDLF Platinum-Level of Governance



PLATINUM LEVEL

President – Bryon Gutow • Director – Kevin Graves • Director – Ashley Porter • Director – Michael Callahan • Director – Carolyn Graham

**MINUTES OF THE REGULAR MEETING  
OF THE STANDING WATER AND WASTEWATER COMMITTEE  
OF THE TOWN OF DISCOVERY BAY  
Wednesday, February 3, 2021  
5:30 P.M. – 6:30 P.M.**

**NOTICE  
Coronavirus COVID-19**

In accordance with the Governor's Executive Order N-33-20, and for the period in which the Order remains in effect, the Town of Discovery Bay Community Services District Committee Chambers will be closed to the public.

To accommodate the public during this period of time that the Committee's Chambers are closed to the public, the Town of Discovery Bay Community Services District Committee Members have arranged for members of the public to observe and address the meeting telephonically.

**TO ATTEND BY TELECONFERENCE:**  
Toll-Free Dial-In Number: (866) 848-2216  
CONFERENCE ID **5193676302#**

Download Agenda Packet and Materials at [www.todb.ca.gov/](http://www.todb.ca.gov/)

**Water and Wastewater Committee Board Members**

*Kevin Graves  
Ashley Porter*

- A. ROLL CALL**
1. Call business meeting to order 5:30 p.m. – by Kevin Graves
  2. Roll Call – All present.
- B. PUBLIC COMMENTS (Individual Public Comments will be limited to a 3-minute time limit)**  
None.
- C. DRAFT MINUTES TO BE APPROVED**
1. Approve DRAFT minutes of November 4, 2020 Regular Water and Wastewater Committee Meeting. Motion made by Committee Member Graves to approve items on the Consent Calendar as presented. Second by Committee Member Porter.
- D. PRESENTATIONS**
1. Water and Wastewater Update.  
None.
- E. DISCUSSION ITEMS**
1. Discussion Regarding Chair and Vice-Chair.  
Decision to appoint Chair and Vice-Chair was settled between Board Members Kevin Graves and Ashley Porter. Kevin Graves will be Chair and Ashley Porter will be Vice-Chair.
  2. Discussion and Provide Possible Feedback on the Proposal to Purchase a New Sludge Dredge in the Amount of \$144,603.20 and Increase the Capital Project Total Budget to \$166,294.  
District Water Engineer Gregory Harris advised the Committee that the current sludge dredge was installed in 2004. At 18 years old, it is no longer functioning at its full capacity and is requiring replacement. Crisafulli has provided the Town with the best possible price for the small scale dredge for sludge lagoons. Cost of the replacement will be \$144,603.20 and Town will add a 15% contingency for a total of \$166,294. Staff

recommends presenting this item to the Board for review and possible approval. Also, recommendation is made to authorized Town Manager to execute contract of total cost, including tax and freight.

Motion made by Vice-Chair Porter to approve item be presented to the Board.

Second by Chair Graves.

3. Discussion Regarding Water Project Well 1B.

Water Engineer Justin Shobe provided Committee with brief update on Well 1B. It is clogging and not functioning at its complete capability. The gravel is filling up with bio-growth or oxidation of minerals and creating a severe decline in water production. The last time the well went through a rehab was over ten years ago. It needs another rehab and tentative date for rehabbing this well is in March 2021. Veolia's legal team is reviewing the list of contractors to continue the planning process for this rehab.

Chair Graves asked Water Engineer Justin Shobe to create a chart to help better understand the productivity of the wells and easily look at any declination of performance.

4. Discussion Regarding Wastewater Project Denitrification.

Update was provided by District Water Engineer Gregory Harris regarding the denitrification process. The state requires the removal of natural ammonia nitrate found in wastewater. The ammonia nitrate creates algae blooms in the delta. The goal is to be 90% complete with the design process of these state requirements by the end of this month. Water Engineer Justin Shobe spoke about necessary improvements at the effluent pump at Plant 1.

General Manager Mike Davies and Committee held discussion regarding funding and a previously approved Reimbursement Resolution.

Water Engineer Justin Shobe requested to place an agenda item to refresh the Board and inform new Board Members of water projects.

**F. FUTURE DISCUSSION/AGENDA ITEMS**

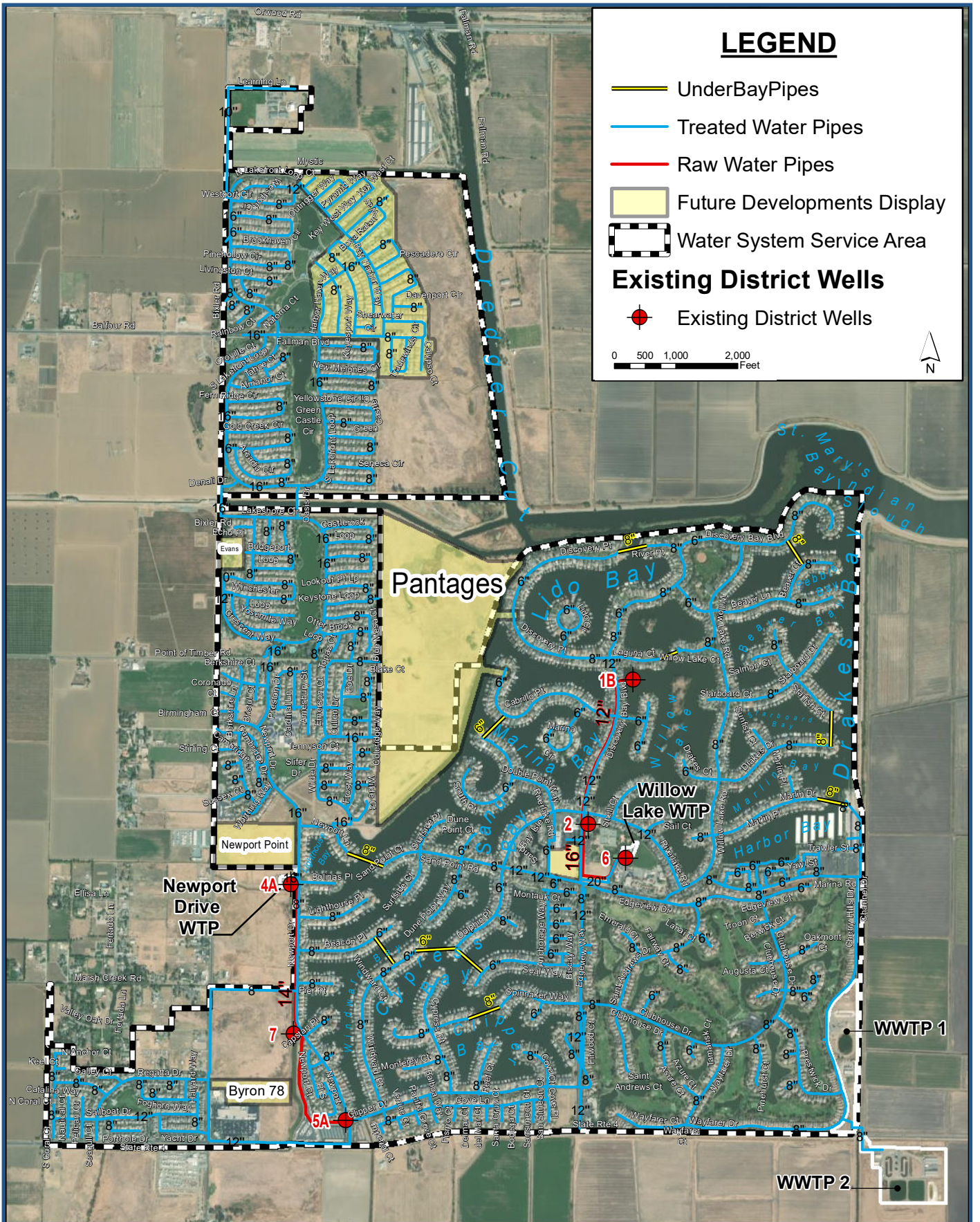
**G. ADJOURNMENT**

1. Adjourned at 6:14 p.m. to the next Standing Water and Wastewater Committee meeting at the Community Center located at 1601 Discovery Bay Boulevard.

"This agenda shall be made available upon request in alternative formats to persons with a disability, as required by the American with Disabilities Act of 1990 (42 U.S.C. § 12132) and the Ralph M. Brown Act (California Government Code § 54954.2). Persons requesting a disability related modification or accommodation in order to participate in the meeting should contact the Town of Discovery Bay, at (925) 634-1131, during regular business hours, at least forty-eight hours prior to the time of the meeting."

"Materials related to an item on the Agenda submitted to the Town of Discovery Bay after distribution of the agenda packet are available for public inspection in the District Office located at 1800 Willow Lake Road during normal business hours."





# LEGEND

- UnderBayPipes
- Treated Water Pipes
- Raw Water Pipes
- Future Developments Display
- Water System Service Area

## Existing District Wells

- Existing District Wells

0 500 1,000 2,000 Feet



## Town of Discovery Bay CSD Groundwater Well Information Table

Parameters	WILLOW LAKE WTP			NEWPORT WTP		
	Well 1B	Well 2	Well 6	Well 4A	Well 5A	Well 7
<b>WELL CONSTRUCTION</b>						
Drilling Date	1995	1971	2009	1996	1991	2014
Well Diameter	16"	12"	18"	16"	16"	18"
Well Depth	350 ft	348 ft	360 ft	357 ft	357 ft	346 ft
Top Screen Interval	271'/289'	245'/335'	270'/295'	307'/347'	261'/291'	282'/292'
Specific Capacity, original	23 gpm/ft	14 gpm/ft	28 gpm/ft	26 gpm/ft	21 gpm/ft	14 gpm/ft
Specific Capacity, latest	9 gpm/ft	11 gpm/ft	26 gpm/ft	20 gpm/ft	18 gpm/ft	14 gpm/ft
Date of Last Rehab	2011	2019	-	2019	2007	-
<b>PUMP AND MOTOR DATA</b>						
Date Pump Installed	2012	2019	2010	2019	2004	2015
Date Motor Installed	1996	2019 Refurb	2010	2020	1995	2015
Date Column Installed	2012 Refurb	2019	2010	2019	2009	2015
Design Flow	1600 gpm	850 gpm	1700 gpm	1800 gpm	2000 gpm	1800 gpm
Design Head	280 ft	193 ft	230 ft	229 ft	180 ft	345 ft
Setting Depth	260 ft	220 ft	250 ft	220 ft	240 ft	290 ft
Column Diameter	12"	8"	12"	12"	10"	12"
Motor Horsepower	150 HP	100 HP	150 HP	150 HP	200 HP	200 HP
Pump Type	Submersible	Water Lube	Submersible	Submersible	Water Lube	Submersible
Bowl Make	BJ/Flowserve	Goulds	BJ/Flowserve	Goulds	Floway	BJ/Flowserve
Bowl Model	13MQH -3	11CHC -3	14EMM -3	14RJMC -3	14DKH -3	15EMM -4
Motor Make	BJ/Flowserve	Newman	BJ/Flowserve	BJ/Flowserve	GE	BJ/Flowserve
Motor Model	Type H	WPI	Type H	Type M	WPI	Type M

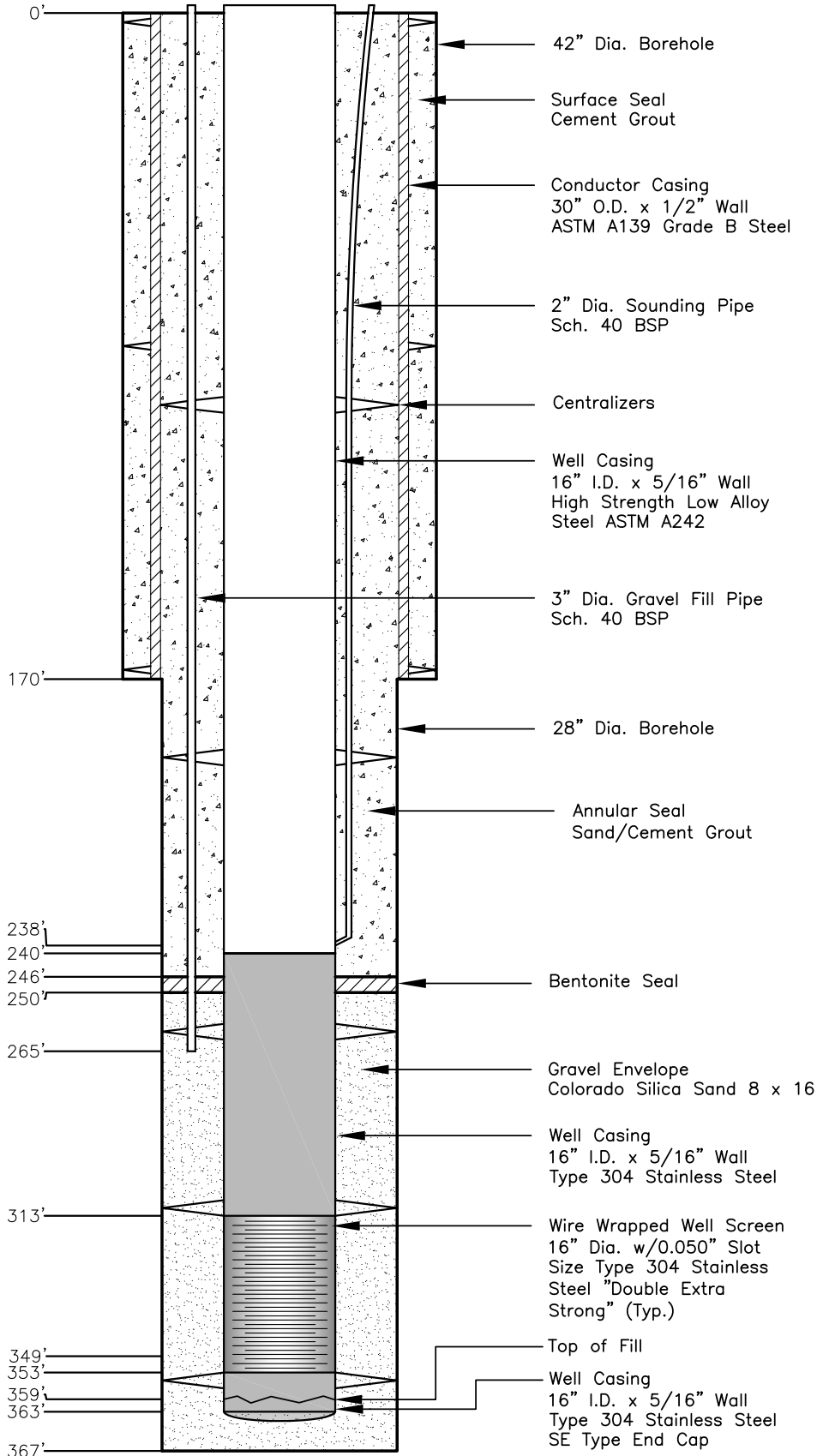
Attached is information from the 2019 rehabilitation and upgrade of Well 4A and Well 2:

- Well Profile
- Pump Diagram
- Pump Curve
- Historic Specific Capacity Testing

# Well 4A

Depth

Description



**Note:**

1. Screen Depth from video survey conducted on 1-11-19 by Roadrunner Drilling and Pump Company.
2. Top of Fill Depth from Pump Installation on 5-2-19 by Kirby Pump and Mechanical.

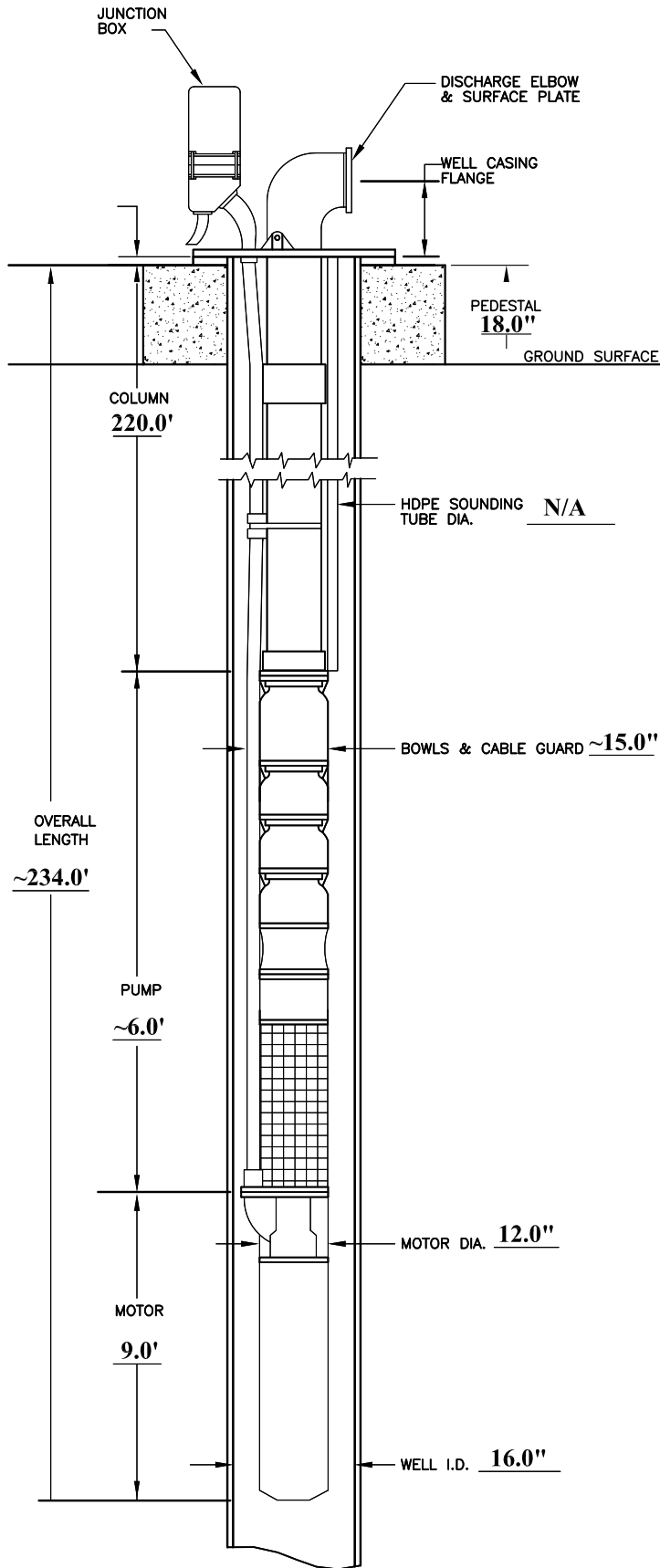
CAD FILE: G:\Projects\Discovery Bay\17-2-136\Well 4A.DWG DATE: 5/22/2019 2:09 PM



**Production Well Profile: Well 4A**

Well 4A Rehab and Pump Upgrade  
Town of Discovery Bay CSD





### MOTOR

MAKE **BYRON JACKSON TYPE M**  
 SERIAL NO. **2002MSS00783-1**  
 HP **150** RPM **1751**  
 PHASE **3** HERTZ **60**  
 VOLTAGE **460 v** FLA **195 A**  
 SIZE **12"**  
 SHROUD **NONE**  
 DATE INSTALLED **2020**

### PUMP

MAKE **GOULDS** MODEL **14RJMC**  
 SERIAL NO. **4631535**  
 STAGES **3** TRIM **9.5"**  
 DESIGN **1800** GPM @ **229** FT HD  
 SHUTOFF HEAD **347** FT  
 DATE INSTALLED **5-2-2019**

### MATERIAL

COL PIPE DIA. **10" x 0.365" EPOXY COATED**  
 BOWL SHAFT **416 SS**  
 CABLE SIZE **4 / 0**  
 CABLE LENGTH **220' (5kV, XLPE, NON-SHIELDED)**  
 CABLE TYPE **SUBMERSIBLE BJ**  
 PUMP BOWL **C.I. CL30 ENAMEL**  
 IMPELLER **316 SS**

### WELL INFORMATION

YEAR CONSTRUCTED **1996**  
 DRILLER **EATON DRILLING**  
 TOTAL CASING DEPTH **363'**  
 CASING DIA./MTL. **16" ID x 5/16" / 304 SS**  
 SCREENED INTERVALS **313' - 353'**  
 SCREEN TYPE **WIRE WRAPPED 0.050" SLOT 304 SS**  
 DATE OF LAST VIDEO LOG **1-11-2019**

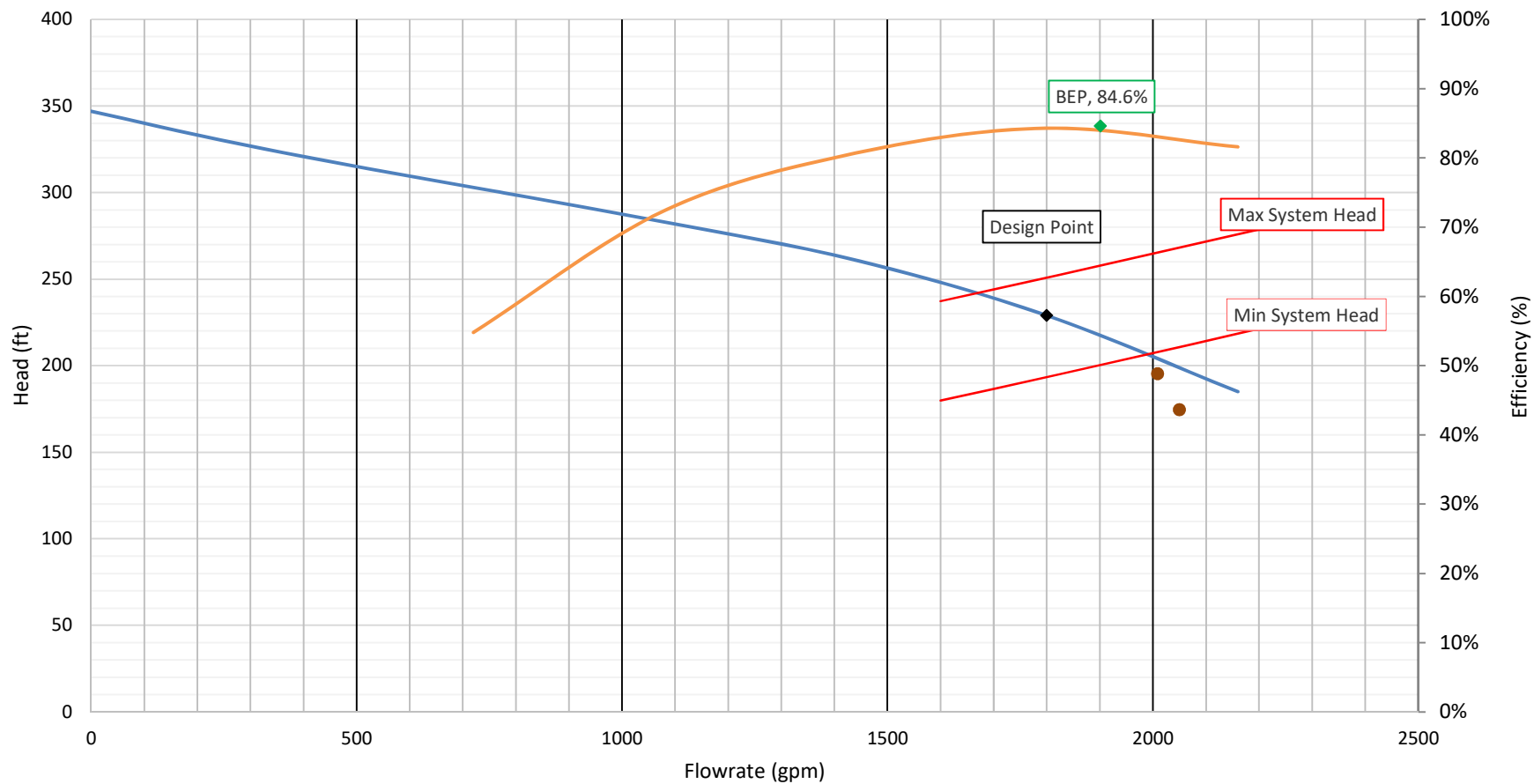
CAD FILE: D:\LS ACAD Dropbox\Projects\Discovery Bay\17-2-136\Well 4A--Submersible Turbine Pump As-Built.dwg DATE: 2/24/2021 2:54 PM



### SUBMERSIBLE TURBINE PUMP AS-BUILT

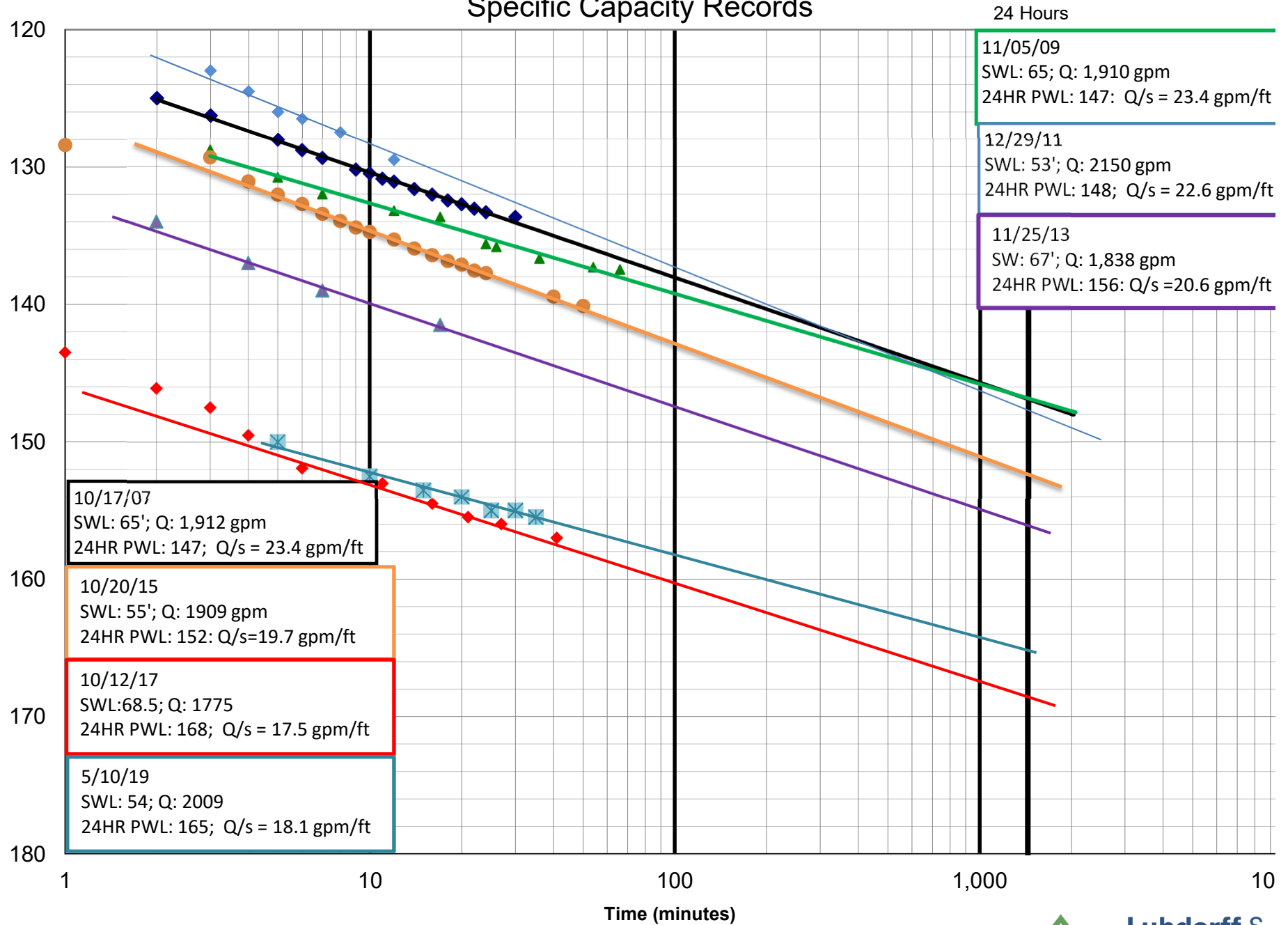
Well 4A Rehab and Pump Upgrade  
 Town of Discovery Bay CSD

**Town of Discovery Bay  
Well #4A - Pump Replacement  
Submitted Pump Curve  
January 2019**



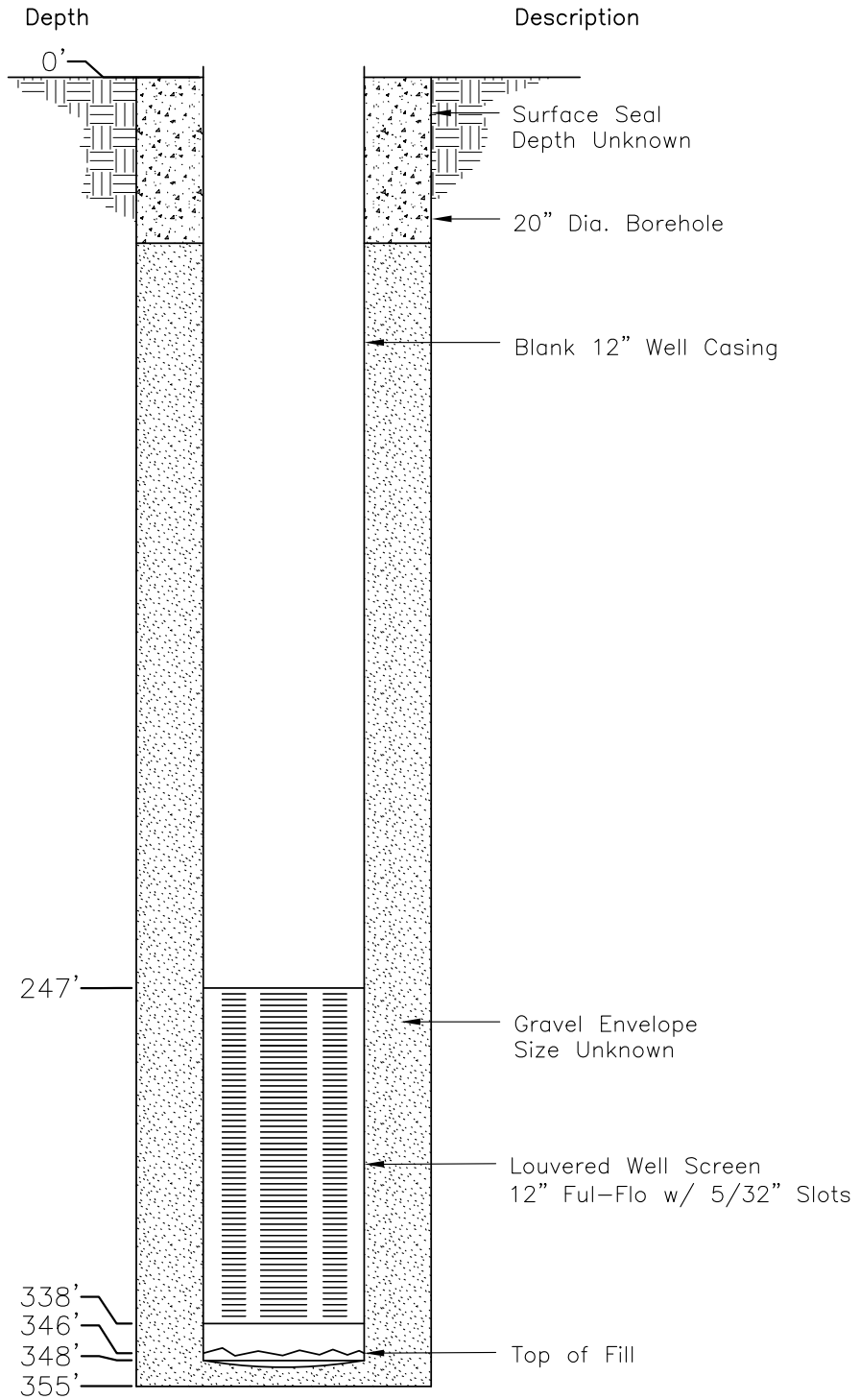
- Submitted Pump Curve
- Max System Head
- Min System Head
- ◆ Design Point
- OPE Testing 5/10/19
- Submitted Pump Efficiency
- ◆ BEP

# Well 4A Specific Capacity Records



◆ Oct-07   
 ▲ Nov-09   
 ◆ Nov-11   
 ▲ Nov-13   
 ● Oct-15   
 ◆ 17-Oct   
 ✕ May-19

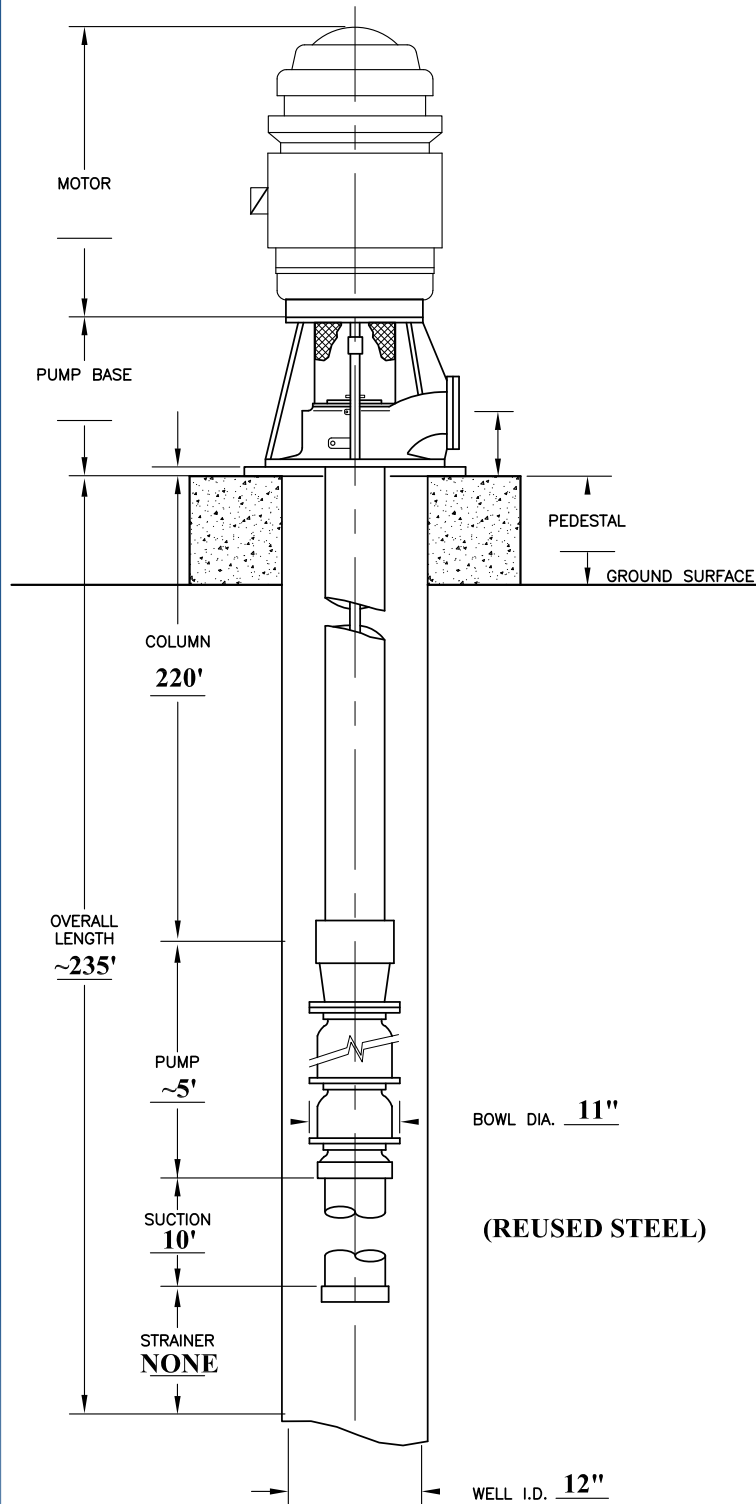
# Well 2



Note:  
 Well Profile based on Well Completion Report No. 40075  
 Screen Depth from video survey conducted on 1-11-19 by Roadrunner Drilling and Pump Company

CAD FILE: G:\Projects\Discovery Bay\17-2-136\Well #2.dwg DATE: 5/22/2019 2:15 PM





### MOTOR

MAKE NEWMAN  
 HP 100 RPM 1775  
 PHASE 3 HERTZ 60  
 VOLTAGE 460 v FLA 119 A  
 DATE INSTALLED \_\_\_\_\_

### PUMP & COLUMN ASSEMBLY

DISCHARGE HEAD MANUFACTURE AURORA  
 TYPE CAST  
1-1/2" LINE SHAFT 8" COL  
 BOWL MANUFACTURE GOULDS  
 TYPE 11CHC STAGE 3  
850 GPM 193 FT HEAD  
 IMPELLER DIA. 7.9375"  
 SERIAL NO. FR4617393  
 DATE INSTALLED 4-22-2019

### MATERIAL

COL PIPE SCH 40 EPOXY COATED  
 LINE SHAFT 416SS  
 BOWL SHAFT 416SS  
 HEAD SHAFT SEAL STUFFING BOX  
 SOLE PLATE N/A  
 BEARING RETAINER (SPIDER) BRONZE / NEOPRENE  
 PUMP BOWL C.I. CL30 ENAMEL  
 IMPELLER 316SS

### WELL INFORMATION

YEAR CONSTRUCTED 1971  
 DRILLER ROSCOE MOSS COMPANY  
 TOTAL CASING DEPTH 348'  
 DIAMETER/MATERIAL 12.75" x 5/16" / STEEL  
 SCREENED INTERVALS 247' - 338'  
 SCREEN TYPE LOUVERED FUL-FLO 5/32" SLOTS  
 DATE OF LAST VIDEO LOG 1-11-2019

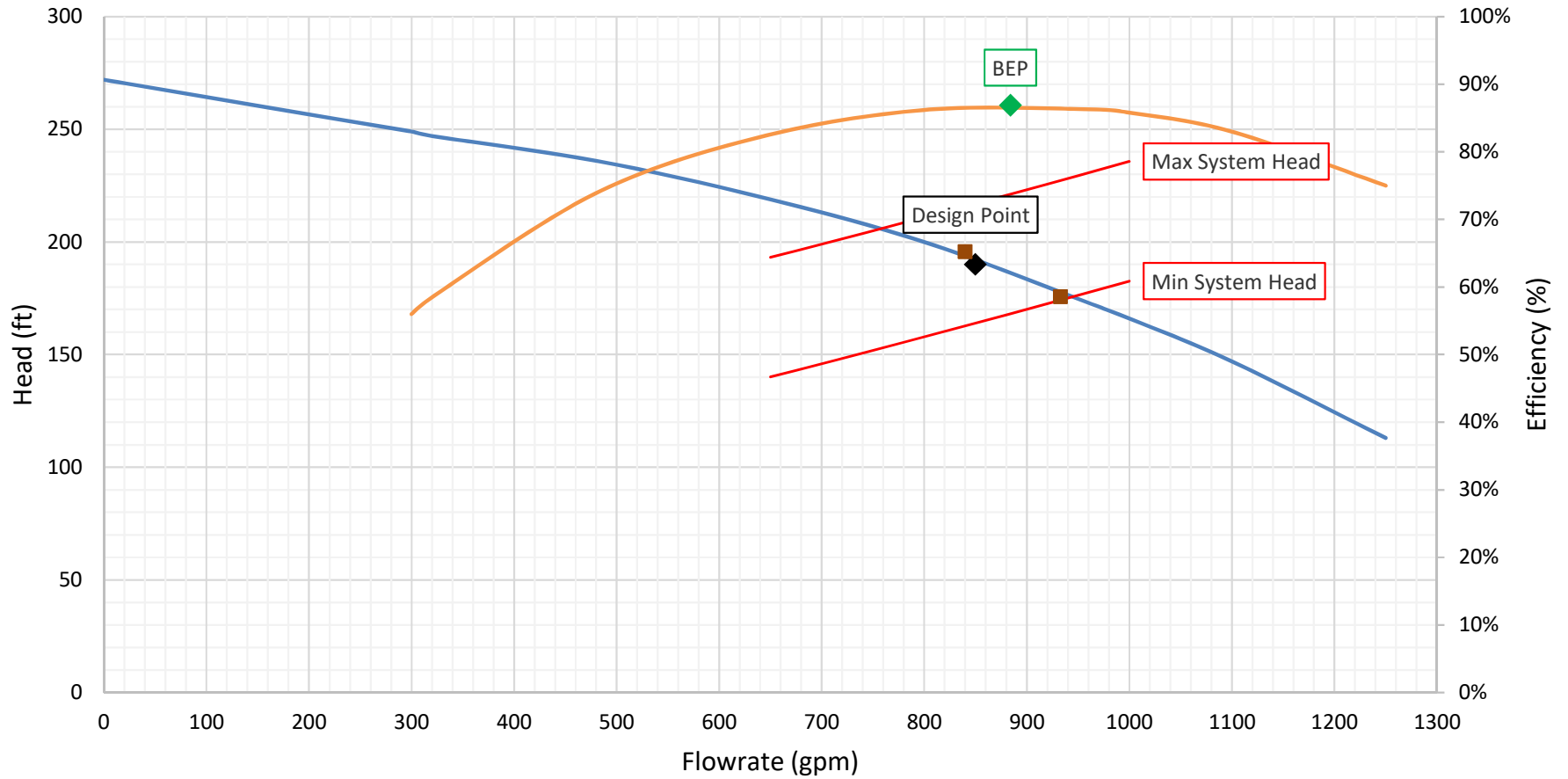
CAD FILE: G:\Projects\Discovery Bay\17-2-136\Well 2--Vertical Turbine Pump (water) As-Built--Pump Data Sheet.dwg DATE: 5/22/2019 4:07 PM



## VERTICAL WATER- LUBRICATED TURBINE PUMP AS-BUILT

Well 2 Rehab and Pump Upgrade  
 Town of Discovery Bay CSD

# Town of Discovery Bay Well #2 - Pump Replacement Submitted Pump Curve December 2018



- Submitted Pump Curve
- Max System Head
- Min System Head
- ◆ Design Point
- OPE Testing 5/10/19
- Submitted Pump Efficiency
- ◆ BEP

## Well 2 Specific Capacity Records

